

USER'S MANUAL

CGPrint mini printers (sw. 1.4)



CGP ELECTRONICS KFT.
HUNGARY

CONTENTS

1. INTRODUCTION	3
1.1. Features	3
1.2. Accessories	3
2. TYPE CLASSIFICATION	4
2.1. Type.....	4
2.2. AC adapter.....	4
2.3. Specification	5
3. EXTERNAL APPEARANCE AND PARTS' DESCRIPTIONS	6
3.1. External appearance.....	6
3.2. Control Panel	7
4. OPERATIONS	8
4.1. Connecting the AC adapter.....	8
4.2. Setting of the printer cover	9
4.3. Setting ribbon cassettes.....	10
4.4. Setting paper.....	11
4.5. Change and charge the accumulator.....	12
4.5.1. Change the accumulator.....	12
4.5.2. State of accumulator	12
4.5.3. Charge the accumulator	13
4.6. Power managenemt	13
4.7. Self test printing	14
4.8. General notices	14
5. INTERFACE	15
5.1. Serial interface (DP and TP type)	15
6. DIP SWITCH SETTING.....	16
7. CHARACTER SET.....	17
7.1 Character set	17
7.2 International character set (ESC+R+n).....	18

1. INTRODUCTION

Portable or desktop: The CGPrint series may be used as a desktop/wall-hung unit or as a hand-held/belt-hung, battery-operated unit to meet a wide variety of needs. It is ideal for EFT (electronic fund transfer) and POS (point of sales) transactions, in-the-field receipting and other applications that require a small foot print and/or portability. It also offers in-vehicle receipting for taxi and other public transportation providers.

Impact and thermal: The CGPrint series also offers a choice of printing technologies – impact dot matrix and direct line thermal option are available.

Wide interface range: The CGPrint series also offer for RS-232C serial interface, Serial TTL interface, and Infrared communication interface (IrDA)

Warning :Please read this manual to understand the printer before use !

1.1. Features

- Portable and/or Desktop applications
- Impact or thermal print option
- RS-232C, TTL serial or IrDA interface
- 57 mm wide paper
- Paper end detector
- Text and graphics mode
- OEM version available
- Customised case colours

1.2. Accessories

- | | |
|--|----------|
| - Paper roll | (1 roll) |
| - Ribbon cassette (only on dot matrix) | (1 pc.) |
| - AC adapter | (1 pc.) |
| - User's Manual | (1 pc.) |
| - Accumulator (only on portable type) | (1 pc.) |

2. TYPE CLASSIFICATION

2.1. Type

DPP-40/R 230 A13 B 32k

Model:

DP: dot matrix
TP: line thermal
DPP: portable dot matrix
TPP: portable line thermal

No of columns:

24: 24 columns
40: 40 columns
42: 42 columns

Interface:

R: RS-232
T: TTL serial
I: IrDA

Buffer:

- : no
32k: 32kbyte

Belt adapter:

- : no
B : yes

Accumulator:

- : 700mAh
A13: 1300mAh

Power Supply:

120: 120V USA
230: 230V EUR
240: 240V UK

2.2. AC adapter

Model No:MW1208

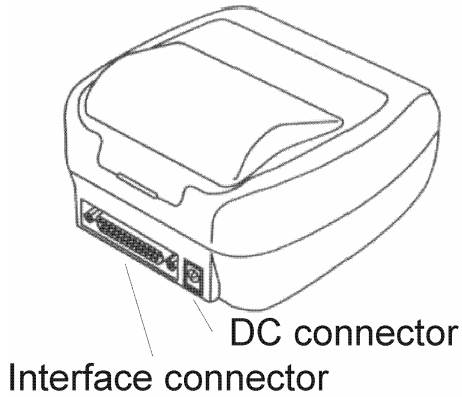
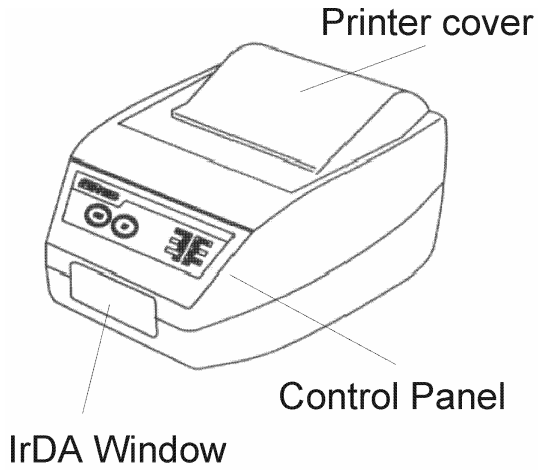
Warning: Please use the exclusive adapter indicated below !

2.3. Specification

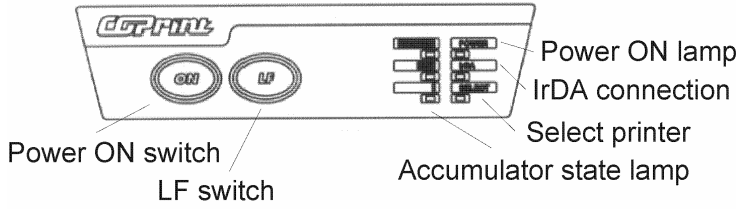
Model:	DP-24/DP-40	DPP-24/DPP40	TP-24/TP-42	TPP-24/TPP42
Printing method		impact dot matrix		Direct line thermal
Printer mechanism		MD-900 series (Citizen)		LT-285 (Citizen)
No of columns for text mode		24/40 char/line		24/42 char/line
graphics mode		144/180 dots/line		384 dots/line
Printing speed		2.5/1.8 line/sec	6 line/sec	4 line/sec
Paper width			57mm + - 0.5mm	
Paper roll diameter			50mm	
Paper end detector		optional		Yes
Ink ribbon cassette		IR-91 (black or purple)		
Interface			RS-232	
			optional TTL serial	
			optional IrDA standard 1.0 ver.	
Buffer			1 line	
			optional 32kbyte	
Power supply			AC 110/120/230V	
Rechargeable battery	DC 12V 800mA	DC 12V 500mA	DC 12V 800mA	DC 12V 500mA
		NiCd 700mAh		NiCd 700mAh
		optional NiMH 1300mAh		optional NiMH 1300mAh
Weight			0.4 kg	
Dimension (W x D X H)			105x150x75	
Operating temperature range		0 - 50 C		-10 - 50C
Storage temperature range			-20 - 50C	
Reliability		MCBF 1 million lines		Head 50 million pulse or 50km
Case colours			Antracid grey / Indigo blue / beige	

3. EXTERNAL APPEARANCE AND PARTS' DESCRIPTIONS

3.1. External appearance



3.2. Control Panel

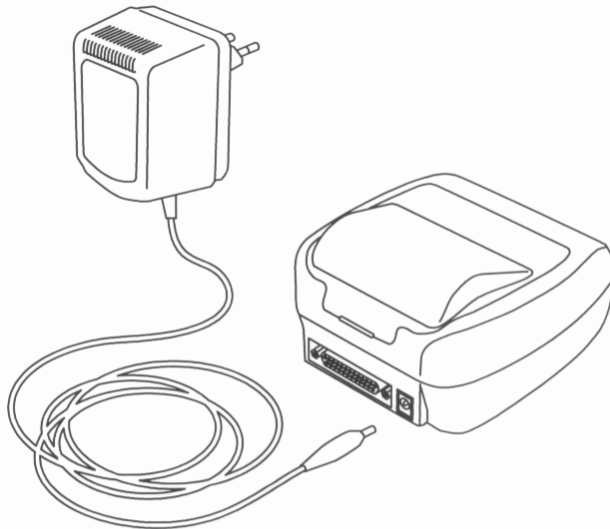


4. OPERATIONS

4.1. Connecting the AC adapter

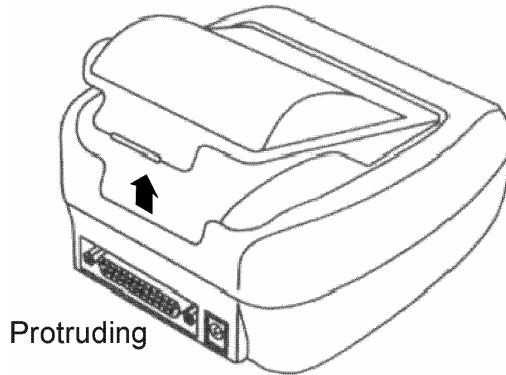
- (1) Ensure that the power switch is OFF.
- (2) Insert the output plug of the AC adapter into the DC jack of the printer.
- (3) Insert the power plug of the AC adapter into a power consent supplying the designated voltage.

Warning : *Use of exclusive AC adapter is recommended. Output is DC 12V/800mA. Avoid using power sources not conforming to this specification.*



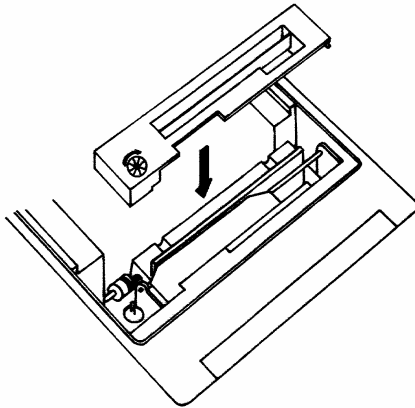
4.2. Setting of the printer cover

- (1) Hold the protruding section at the rear of the printer cover and lift in the direction indicated.
- (2) Attach the cover by pressing downward after hooking the cover to the acceptor located in the front part.



4.3. Setting ribbon cassettes

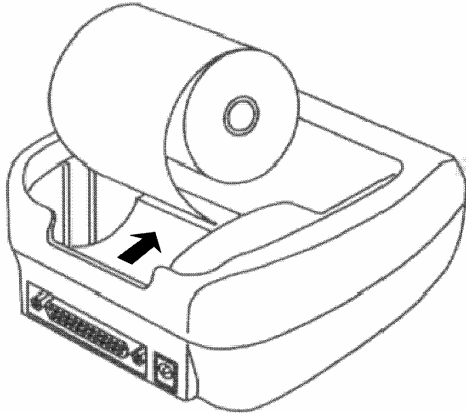
- (1) Remove the printer cover after turning OFF the printer.
- (2) Press down on the ribbon cassette while inserting the ribbon between the printing head and platen.
- (3) Wind up the ribbon slack by turning the knob in the direction of the arrow.



4.4. Setting paper

- (1) Remove the printer cover.
- (2) Ensure that the end of the paper is straight or incline.
- (3) Insert the end of the paper into the slot of the printer mechanism.
- (4) After turning on the printer, press LF switch until 5 to 6 cm of paper is fed out of the printer mechanism.
- (5) Insert paper after moving aside the paper holder in the direction of the arrow. Then, secure the center of the roll with the holder.
- (6) Then, attach the printer cover so the end of the paper comes out of the opening in the cover.

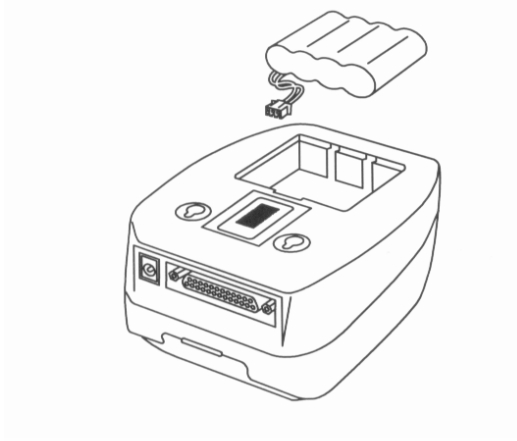
Warning : *The device should only be used with paper in it otherwise the lifetime of the ribbon cartridge gets shorter.*



4.5. Change and charge the accumulator

4.5.1. Change the accumulator

- (1) Remove the accumulator cover after the turn Off the printer
- (2) Insert the accumulator plug of the printer.
- (3) Remove the accumulator cover.



4.5.2. State of accumulator

State of the accumulator signaling the tree lamp on the control panel. If lighting the green lamp accumulator is ready, if lighting the yellow lamp the accumulator medium and is lighting red lamp need the charging period.

This lamp signaling the charging period. If blinking the green lamp printer is turn ON and making the normal charge. If the rounding the tree lamp making the quick charge.

4.5.3. Charge the accumulator

This products has a quick accumulator charger inside. If the accumulators too low occur insert the output plug of the AC adapter into the DC jack of the printer. The lighted lamp indicates the right connection. After 1 hours accumulators 70% and more than 2 hours needed to approx. 100% charged state.

Proposition : Always charge the unit overnight when charging to obtain a full charge. NiCd accumulators have an inherent "memory". Unless they are fully charged each time, the accumulators pack's charge life will be limited. Discharge the accumulators as fully as before recharging it.

Note 1: If you using CGPrint printer with optionally ordered NiMH accumulator the "memory" affect not appear, discharge accumulators as fully as possibility not necessary and the capacity and printing time with one charge is 60% higher.

Note 2: If you order the printer NiCd accumulator never use the printer NiMH accumulator.

4.6. Power managememt

In most of application which contains printer the printer works only short time of operation, but it is power ON under full operation. If the printer works in line powered mode it isn't problem, but case of battery operation it is, because the continuously power consumption decrease the energy of battery.

If DIP-4 switch ON may be turn On the printer DTR signal. If DIP-3 switch On may be turn On the printer via IrDA connection.

4.7. Self test printing

A self-printing function is incorporated in this product to enable the printer to check itself.

- (1) Set paper to the printer.
- (2) Ensure that the ribbon cassette is attached correctly and turn the power OFF.
- (3) Turn ON the power switch while holding the LF switch down. Release the LF switch after the self-printing operation has started.

Printing is initiated by this operation. To end self-printing, turn OFF the printer.

4.8. General notices

- Never operate your printer without loading paper and ribbon cassette. Any printing without paper and ribbon cassette may cause damage to printer head.
- Replace ribbon cassette before it is worn with rents.
- Be careful not to drop any foreign matters, such as paper clips, pin and the like into your printer. Those can cause mechanical trouble.
- Nothing shall be placed on the radiation vents to the printer.
- No organic solvent /thinner, benzine or the like/ shall be used in sweeping clean the surface of the main body case.

5. INTERFACE

5.1. Serial interface

9 PIN D SUB Female connector		
Signal PIN	Signal Name	Function
2	RxD	Received Data
4	DTR	Printer Busy
5	GND	Signal Ground
6	DSR	Switch ON

25 PIN D SUB Female connector		
Signal PIN	Signal Name	Function
3	RxD	Received Data
7	GND	Signal Ground
20	DTR	Printer Busy

Note : D-SUB connector

25 PIN Printer : 17LE-13250 (Amphenol equivalent)

25 PIN Cable : 17JE-23250 (Amphenol equivalent)

9 PIN Printer : 17LE-13090 (Amphenol equivalent)

9 PIN Cable : 17JE-23090 (Amphenol equivalent)

6. DIP SWITCH SETTING

No.	Funkció	OFF	ON
1	Printer RESET		RESET
2	Baud rate selection	Userdef	9600
3	Switch On via IrDA	OFF	ON
4	Switch On via DSR	ON	OFF

7.2 International character set (ESC+R+n)

CODE	USA	F	D	GB	DK	S	I	E
23h	#	#	#	£	#	#	#	Pt
24h	\$	\$	\$	\$	\$	◻	\$	\$
40h	@	à	§	@	@	É	@	@
5Bh	[°	Ä	[Æ	Ä	°	i
5Ch	\	Ç	Ö	\	Ø	Ö	\	Ñ
5Dh]	§	Ü]	À	À	é	¿
5Eh	^	^	^	^	^	Û	^	^
60h	'	'	'	'	'	é	ù	'
7Bh	{	è	ä	{	æ	ä	à	¨
7Ch		ù	ö		ø	ö	ò	ñ
7Dh	}	è	ü	}	å	å	è	}
7Eh	~	¨	ß	~	~	ü	ì	~

Please, send any comments, suggestion or errors to:

Service Administrator

CGP Electronics Kft.
HUNGARY

H-2220 VECSÉS
Kükülloi utca 33.

Fax: +36 (29) 351 990
E-mail: support@cgp.hu