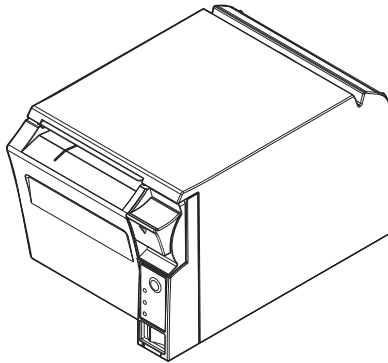


TM-T70II

User's Manual



All rights reserved. No part of this publication may be reproduced, stored in a retrieval system, or transmitted in any form or by any means, electronic, mechanical, photocopying, recording, or otherwise, without the prior written permission of Seiko Epson Corporation. No patent liability is assumed with respect to the use of the information contained herein. While every precaution has been taken in the preparation of this book, Seiko Epson Corporation assumes no responsibility for errors or omissions. Neither is any liability assumed for damages resulting from the use of the information contained herein.

Neither Seiko Epson Corporation nor its affiliates shall be liable to the purchaser of this product or third parties for damages, losses, costs, or expenses incurred by purchaser or third parties as a result of: accident, misuse, or abuse of this product or unauthorized modifications, repairs, or alterations to this product, or (excluding the U.S.) failure to strictly comply with Seiko Epson Corporation's operating and maintenance instructions.

Seiko Epson Corporation shall not be liable against any damages or problems arising from the use of any options or any consumable products other than those designated as Original Epson Products or Epson Approved Products by Seiko Epson Corporation.

Depending on the area, the interface cable may be included with the product. If so, use that cable.

Seiko Epson Corporation shall not be held liable for any damage resulting from electromagnetic interference that occurs from the use of any interface cables other than those designated as Epson approved products.

EPSON is a registered trademark of Seiko Epson Corporation in Japan and other countries/regions.

NOTICE: The contents of this manual are subject to change without notice.

Copyright © 2013 by Seiko Epson Corporation, Nagano, Japan.

Important Safety Information

This section presents important information intended to ensure safe and effective use of this product. Read this section carefully and store it in an accessible location.

Key to Symbols

The symbols in this manual are identified by their level of importance, as defined below. Read the following carefully before handling the product.



WARNING:

Warnings must be observed carefully to avoid serious bodily injury.



CAUTION:

Cautions must be observed to avoid minor injury to yourself, damage to your equipment, or loss of data.

Safety Precautions

This section describes the warnings and cautions intended to ensure safe and effective use of the TM-T70II. Other warnings and cautions on handling of this product for its safe and effective use are described in other sections of the manual.



WARNING:

If the TM-T70II produces smoke, a strange odor, or unusual noise, shut down the TM-T70II, unplug the AC cable immediately, and then contact your dealer or an Epson service center for advice. Continued use may lead to fire or electric shock.

Never attempt to repair this product yourself. Improper repair work can be dangerous.

Never disassemble or modify this product. Tampering with this product may result in injury or fire.

Be sure to use the specified power source. Connection to an improper power source may cause fire.

Do not allow foreign matter to fall into the equipment. Penetration by foreign objects may lead to fire.

If water or other liquid spills into this equipment, shut down the TM-T70II, unplug the AC cable of the TM-T70II immediately, and then contact your dealer or an Epson service center for advice. Continued use may lead to fire or shock.

Do not use aerosol sprayers containing flammable gas inside or around this product. Doing so may cause fire.



CAUTION:

Do not connect cables in ways other than those mentioned in this manual. Different connections may cause equipment damage or fire.

Be sure to set this equipment on a firm, stable, horizontal surface. The product may break or cause injury if it falls.

Do not use this product in locations subject to high humidity or dust levels. Excessive humidity and dust may cause equipment damage or fire.

Do not place heavy objects on top of this product. Never stand or lean on this product. Equipment may fall or collapse, causing breakage and possible injury. Take care not to injure your fingers on the manual cutter

- *When you remove printed paper*

- *When you perform other operations such as loading/replacing roll paper*

To ensure safety, unplug this product before leaving it unused for an extended period.

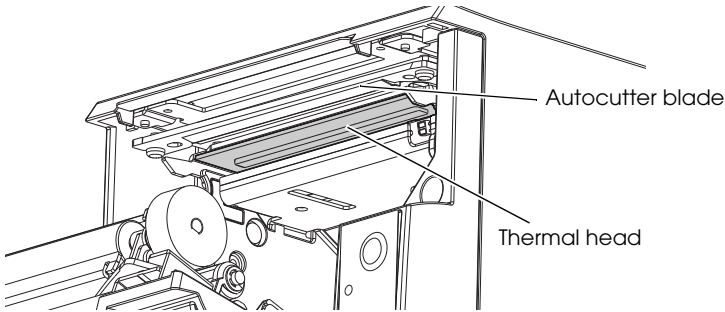
Before moving this product, be sure to unplug it and all the cables connected to it.

Caution Labels

The caution labels on the product indicate the following precautions.

  **CAUTION:**

The thermal head can be very hot during printing and immediately after printing. Touching it may cause burns. Be sure to do cleaning and other work after the thermal head cools down. Also, be careful of the autocutter blade near the thermal head.



Restriction of Use

When this product is used for applications requiring high reliability/safety, such as transportation devices related to aviation, rail, marine, automotive, etc.; disaster prevention devices; various safety devices, etc.; or functional/precision devices, etc.; you should use this product only after giving consideration to including fail-safes and redundancies into your design to maintain safety and total system reliability. Because this product was not intended for use in applications requiring extremely high reliability/safety, such as aerospace equipment, main communication equipment, nuclear power control equipment, or medical equipment related to direct medical care, etc., please make your own judgment on this product's suitability after a full evaluation.

Purpose of This Manual

This manual provides information to operators of the TM-T70II printer to describe basic operations to enable safe and correct use of the printer.

Downloading Drivers, Utilities, and Manuals

Drivers, utilities, and manuals can be downloaded from one of the following URLs.

For customers in North America, go to the following web site:
<http://www.epsonexpert.com/> and follow the on-screen instructions.

For customers in other countries, go to the following web site:
<http://download.epson-biz.com/?service=pos>

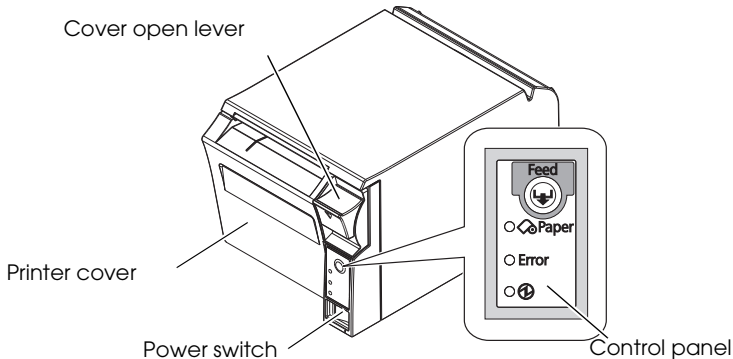
Unpacking

The following items are included with the standard specification printer. If any item is damaged, contact your dealer.

- | | |
|---|---|
| <input type="checkbox"/> Printer | <input type="checkbox"/> Roll Paper |
| <input type="checkbox"/> Power switch cover | <input type="checkbox"/> AC adapter * |
| <input type="checkbox"/> AC cable * | <input type="checkbox"/> TM-T70II Software & Documents Disc |
| <input type="checkbox"/> Setup Guide | |

* May not be included depending on the printer model.

Part Names



Control Panel

FEED button

This button feeds paper.

(Power) LED

This LED is on when the printer is on.

ERROR LED

This indicates an error.

PAPER OUT LED

On indicates a paper near end or out. Flashing indicates standby.

Important Notes on Installation

- ❑ For a serial interface, you must use a null modem cable, also called a cross cable.
- ❑ For a parallel interface, use a cable that meets the specifications for an IEEE 1284-compliant cable.
- ❑ For a USB interface, install the printer driver before connecting the printer.

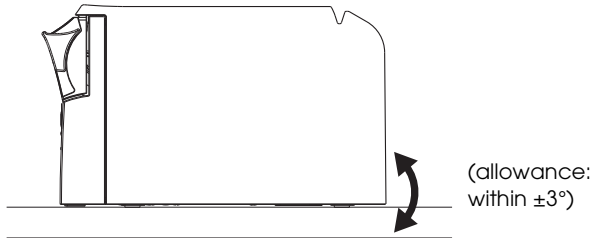
Installing the Printer

You can install this printer only horizontally.

Fix the printer so that it does not move around when you open the printer cover and cut roll paper. A tape for fixing the printer is available as an option.

Install the printer with a maximum tilt of 3°. Installing the printer with a tilt of more than 3° may cause the following problems.

- Roll paper near end cannot be detected.
- The printer cover will not close after installing roll paper.
- Roll paper cannot be taken out.

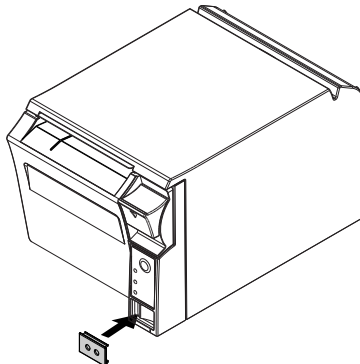


Using the Power Switch Cover

⚠ WARNING:

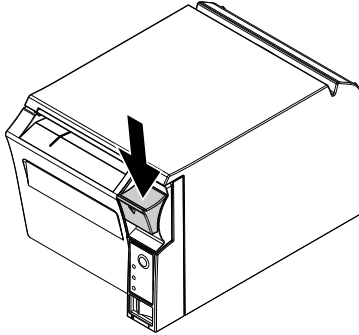
If an accident occurs with the power switch cover attached, unplug the AC cable immediately. Continued use may cause fire or shock.

The enclosed power switch cover ensures that the power switch is not pressed accidentally. To use this cover, install it as shown below.

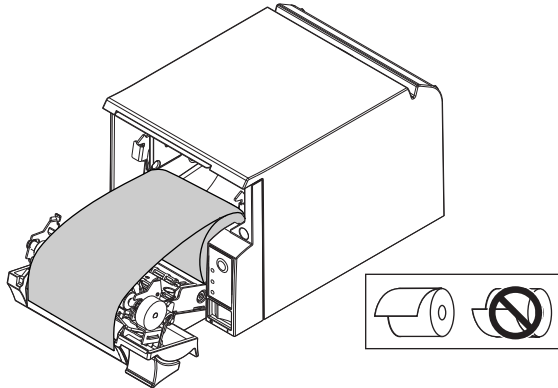


Installing Roll Paper

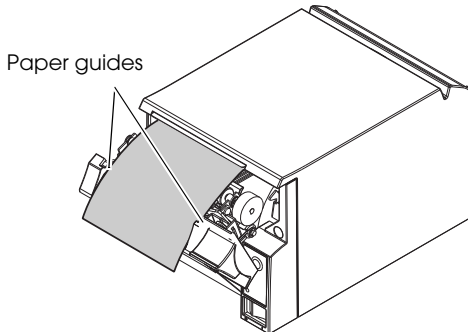
1. Press the lever to open the printer cover.



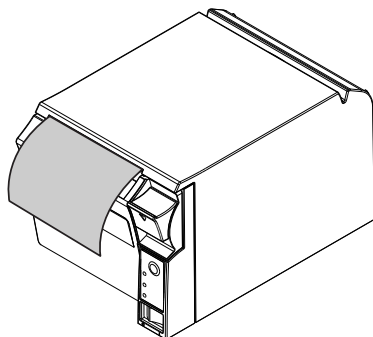
2. Remove the used roll paper core.
3. Install the roll paper. The correct direction of the paper is shown below.



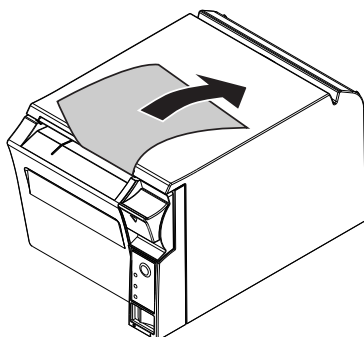
4. Pull out some roll paper so that the paper is set between the paper guides.



5. Close the printer, and make sure that the roll paper is properly installed between the paper guides.



6. Tear off the roll paper.



Troubleshooting

No lights on the control panel

Check whether the DC cable and AC cable are correctly connected to the printer and the power outlet.

ERROR LED on (not flashing) with no printing

If PAPER OUT is **on**, the roll paper is not installed or is used up.

If PAPER OUT is **off**, the printer cover is not closed properly.

ERROR LED flashing with no printing (and no paper jam)

Printing stops if the thermal head overheats and resumes automatically when it cools.

If overheating is not the cause, turn the printer off, and after 10 seconds, back on.

Removing Jammed Paper

  **CAUTION:**

Do not touch the thermal head because it can be very hot after printing.

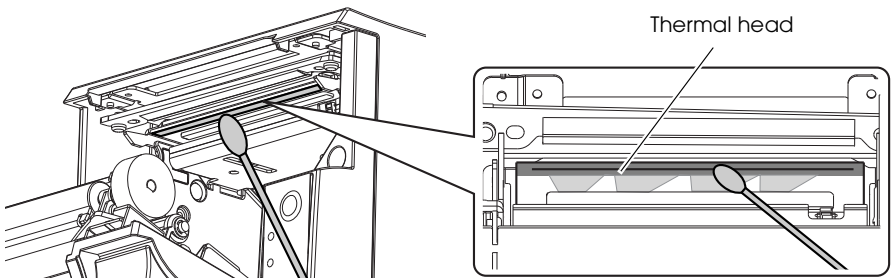
1. Turn the printer off and press the cover open lever.
2. Remove jammed paper, reinstall the roll, and close the printer cover.

Cleaning the Thermal Head

  **CAUTION:**

After printing, the thermal head can be very hot. Do not touch it and to let it cool before you clean it. Do not damage the thermal head by touching it with your fingers or any hard object.

Turn off the printer and open the printer cover. Clean the thermal elements of the thermal head with a cotton swab moistened with an alcohol solvent (ethanol or IPA).



Epson recommends cleaning the thermal head periodically (generally every 3 months) to maintain receipt print quality.

Specifications

	80 mm paper width model	58 mm paper width model
Printing method	Thermal line printing	
Printing direction	Unidirectional with friction feed	
Roll Paper (single-ply)	Size: 79.5 mm ± 0.5 mm {3.13" ± 0.02"}	Size: 57.5 mm ± 0.5 mm {2.26" ± 0.02"}
	Maximum outside diameter: 83 mm {3.27"} Roll Paper spool diameter: Inside: 12 mm {0.47"}; Outside: 18 mm {0.71"}	
Thermal paper type	Specified: NTP080-80	Specified: NTP058-80
Interface(compatible)	Serial (RS-232)/Parallel (IEEE1284)/Ethernet (10BASE-T/100BASE-TX)/ Wireless LAN (IEEE802.11b)/USB (Compliance: USB 2.0, Communication speed: Full-speed (12 Mbps))/USB Plus Power (Communication speed: Full-speed (12 Mbps))/Bluetooth®	
Receive buffer	4 KB/45 bytes	
Cash drawer function	2 drives	
Power supply*	DC+24 V ± 7%	
Current consumption (at 24V)	Mean: Approx. 1.8 A	
Temperature	Operating: 5 to 45°C {41 to 113°F}	
	Storage: -10 to 50°C {14 to 122°F}, except for paper	
Humidity	Operating: 10 to 90% RH	
	Storage: 10 to 90% RH, except for paper	
Overall dimensions	114 × 125 × 194 mm {4.49 × 4.92 × 7.64"} (H × W × D)	
Weight (mass)	Approx. 1.7 kg {3.74 lb} (Excludes roll paper)	

*: Be sure to use a safety-standards-applied power source that meets the following specifications.

Rated output: 24 V/2.0 - 10.0 A, Maximum output: 240 VA or less

WEEE (Waste Electrical and Electronic Equipment) Directive

This information only applies to customers in the European Union, according to Directive 2012/19/EU OF THE EUROPEAN PARLIAMENT AND OF THE COUNCIL OF 04 July 2012 on waste electrical and electronic equipment (WEEE) and legislation transposing and implementing it into various national legal systems, and to customers in countries in Europe, Middle East and Africa (EMEA) where they have implemented equivalent regulations.

For other countries, please contact your local government to investigate the possibility of recycling your product.



English

The crossed out wheeled bin label that can be found on your product indicates that this product should not be disposed of via the normal household waste stream. To prevent possible harm to the environment or human health please separate this product from other waste streams to ensure that it can be recycled in an environmentally sound manner. For more details on available collection facilities please contact your local government office or the retailer where you purchased this product.

Deutsch

Der Aufkleber mit durchgekreuzter Mülltonne an diesem Produkt weist darauf hin, dass dieses Produkt nicht im normalen Hausmüll entsorgt werden darf. Zur Vermeidung einer möglichen Beeinträchtigung der Umwelt oder der menschlichen Gesundheit und um zu gewährleisten, dass es in einer umweltverträglichen Weise recycelt wird, darf dieses Produkt nicht in den Hausmüll gegeben werden. Informationen zu Entsorgungseinrichtungen erhalten Sie bei der zuständigen Behörde oder dem Geschäft, in dem Sie dieses Produkt erworben haben.

Français

L'étiquette apposée sur ce produit et représentant une poubelle barrée indique que le produit ne peut être mis au rebut avec les déchets domestiques normaux. Afin d'éviter d'éventuels dommages au niveau de l'environnement ou sur la santé, veuillez séparer ce produit des autres déchets de manière à garantir qu'il soit recyclé de manière sûre au niveau environnemental. Pour plus de détails sur les sites de collecte existants, veuillez contacter l'administration locale ou le détaillant auprès duquel vous avez acheté ce produit.

Italiano

L'etichetta con il contenitore barrato applicata sull'imballo indica che il prodotto non deve essere smaltito tramite la procedura normale di smaltimento dei rifiuti domestici. Per evitare eventuali danni all'ambiente e alla salute umana, separare questo prodotto da altri rifiuti domestici in modo che possa essere riciclato in base alle procedure di rispetto dell'ambiente. Per maggiori dettagli sulle strutture di raccolta disponibili, contattare l'ufficio competente del proprio comune o il rivenditore del prodotto.

Español

La etiqueta de un contenedor tachado que hallará en su producto indica que este producto no se puede tirar con la basura doméstica normal. Para impedir posibles daños medioambientales o para la salud, separe este producto de otros canales de desecho para garantizar que se recicle de una forma segura para el medio ambiente. Para más información sobre las instalaciones de recolección disponibles, dirjase a las autoridades locales o al punto de venta donde adquirió este producto.

Português

A etiqueta com o símbolo de um contentor de lixo traçado com uma cruz que aparece no produto indica que este produto não deve ser deixado fora juntamente com o lixo doméstico. Para evitar possíveis danos no ambiente ou na saúde pública, por favor separe este produto de outros lixos; desta forma, terá a certeza de que pode ser reciclado através de métodos não prejudiciais ao ambiente. Para obter mais informações sobre os locais de recolha de lixo disponíveis, contacte a sua junta de freguesia, câmara municipal ou localonde comprou este produto.

Nederlands

Op uw product is een label van een rolcontainer met een kruis erdoor aangebracht. Dit label wil zeggen dat dit product niet bij het normale huishoudelijk afval mag worden ingezameld. Om eventuele schade aan het milieu of de gezondheid van de mens te voorkomen moet dit product gescheiden van al het ander afval worden ingezameld, zodat het op een verantwoorde wijze kan worden verwerkt. Voor meer informatie over uw lokale afvalinzameling wendt u zich tot uw gemeente of de leverancier bij wie u dit product hebt gekocht.

Dansk

Etiketten med et kryds over skraldespanden på hjul, der sidder på produktet, angiver, at dette produkt ikke må bortskaffes sammen med almindeligt husholdningsaffald. For at beskytte miljøet og helbred skal dette produkt bortskaffes separat, så det kan genbruges på en måde, der er god for miljøet. Kontakt de lokale myndigheder eller den forhandler, hos hvem du har købt produktet, vedrørende steder, hvor du kan aflevere produktet.

Suomi

Laite on merkitty jäteastia-symbolilla, jonka yli on vedetty rasti. Tämä tarkoittaa, ettei laitetta saa hävittää normaalin talousjätteen mukana. Älä hävitä laitetta normaalin jätteen seassa vaan varmista, että laite kierrätetään ympäristöstävällisellä tavalla, jottei ympäristölle tai ihmisille aiheudu vahinkoa. Lisätietoja kierrätyksestä ja keräyspisteistä saa ottamalla yhteyttä paikallisiin viranomaisiin tai jälleenmyyjään, jolta laite ostettiin.

Svenska

Symbolen med en överkorsad soptunna innebär att denna produkt inte får kastas i vanligt hushållsavfall. För att skydda miljön ska denna produkt inte kastas tillsammans med vanligt hushållsavfall utan lämnas för återvinning på tillbörligt sätt. För mer information om uppsamlingsplatser kontakta din lokala myndighet eller den återförsäljare där du har köpt produkten.

Norsk

Det er kryssset over merket av beholderen på hjul som vises på produktet, som angir at dette produktet ikke skal kastes sammen med vanlig husholdningsavfall. Hold dette produktet atskilt fra annet avfall slik at det kan resirkuleres på en miljømessig forsvarlig måte og dermed forhindre eventuell skade på miljø eller helse. Hvis du vil ha mer informasjon om hvor produktet kan leveres inn, kontaktér du kommunale myndigheter eller forhandleren der du kjøpte dette produktet.

Česky

Štítek s přeškrtnutým odpadkovým košem na kolečkách, který lze nalézt na výrobku, označuje, že tento product se nemá likvidovat s běžným domovním odpadem. V zájmu ochrany životního prostředí a lidského zdraví zlikvidujte tento výrobek jako tříděný odpad, který se recykluje způsobem šetrným k životnímu prostředí. Podrobnější informace o sběrných dvorech pro tříděný odpad získáte na obecním úřadě nebo u prodejce, u kterého jste příslušný výrobek zakoupili.

Magyar

A terméken található, áthúzott szemetest ábrázoló címke azt jelzi, hogy ezt a terméket nem szabad a rendes háztartási szeméttel együtt kidobni. Az esetleges környezeti- vagy egészségkárosodást megelőzendő, kérjük, hogy ezt a terméket a többi szeméttől elkülönítve helyezze el, és biztosítsa, hogy azt környezetbarát módon újrahasznosítsák. A rendelkezésére álló begyűjtő létesítményekről kérjük tájékozódjon a megfelelő helyi állami szerveknél vagy a viszonteladónál, ahol a terméket vásárolta.

Polski

Symbol przekreślonego kosza znajdujący się na produkcji oznacza, że nie może on być utylizowany razem z normalnymi odpadami z gospodarstwa domowego. Aby zapobiec potencjalnemu zagrożeniu dla środowiska lub zdrowia ludzkiego, produkt ten należy odseparować od reszty odpadów z gospodarstwa domowego i utylizować w ekologicznie właściwy sposób. Szczegółowe informacje na temat punktów zbiórki odpadów można uzyskać w lokalnych urzędach lub u sprzedawcy danego produktu.

Slovensky

Štítok s přeškrtnutým odpadkovým košom na kolieskach, ktorý je možné nájsť na výrobku, označuje, že tento product sa nemá likvidovať s bežným komunálnym odpadom. V záujme ochrany životného prostredia a ľudského zdravia zlikvidujte tento výrobok ako triedený odpad, ktorý sa recykluje spôsobom šetrným k životnému prostrediu. Podrobnejšie informácie o zberných dvoroch pre triedený odpad získate na obecnom úrade alebo u predajcu, u ktorého ste príslušný výrobok zakúpili.

Slovenski

Prečrtan koš za smeti na etiketi, katero lahko najdete na vašem izdelku, pomeni, da tega izdelka ne smete odvreči podobno kot vse ostale smeti. Da bi preprečili morebitne škodljive vplive na okolje ali zdravje, ločite izdelek od vseh ostalih in poskrbite, da bo recikliran na okolju prijazen način. Natančne informacije o tem, kje se nahajajo primerne odlagališča, pridobite v vašem krajevnem uradu ali pri prodajalcu.

Eesti

Teie tootele kleebitud tähis, mis kujutab ratastega prügikonteinerit, millele on rist peale tõmmatud, keelab toote kõrvaldamise majapidamisjäätmetega sarnasel viisil. Keskkonnale või inimeste tervisele tekitatava võimaliku kahju vältimiseks eraldage toode teistest jäätmetest, et tagada selle korduvkasutamise keskkonnasäästlikul viisil. Kui soovite saada rohkem teavet võimalike kogumispunktide kohta, võtke ühendust kohaliku omavalituse ametnikuga või teile toote müünud jaemüüjaga.

Lietuviški

Užbraukta ratuota šiukšliadėžės etiketė, kurią rasite ant jūsų produkto, reiškia, kad šis produktas neturėtų būti išmestas kartu su įprastinėmis buitinėmis šiukšlėmis. Siekiant išvengti galimos žalos aplinkai bei žmonių sveikatai, prašome atskirti šį produktą nuo kitų atliekų, ir įsitikinti, kad jis būtų perdirbtas aplinkai nepavojingiu būdu. Jei reikia išsamesnės informacijos apie atliekų surinkimo ypatumus, prašome kreiptis į savo vietos valdžios įstaigas arba į mažmeninį pardavėją, iš kurio jūs įsigijote šį produktą.

Latviski

Marķējums ar pārsvīturot atkritumu tvertni uz rītenīšiem, kas redzams uz izstrādājuma, norāda, ka šo izstrādājumu nedrīkst likvidēt kopā ar parastajiem sadzīves atkritumiem. Lai novērstu iespējamo kaitējumu videi vai cilvēku veselībai, lūdzam, atdaliet šo izstrādājumu no citiem atkritumiem, tādējādi nodrošinot tā atveidojuma pārstrādi videi drošā veidā. Papildinformācijai par pieejamajām atkritumu savākšanas iespējām, lūdzam, sazinieties ar vietējo pašvaldību vai mazumtirgotāju, no kura jūs iegādājāties šo izstrādājumu.

Ελληνικά

Η διαγραμμένη ετικέτα του τροχοφόρου κάδου απορριμμάτων που θα βρείτε πάνω στο προϊόν σας υποδεικνύει ότι αυτό το προϊόν δεν πρέπει να απορριπτεί με μέσο του κανονικού δικτύου αποκομιδής οικιακών απορριμμάτων. Για να αποτρέψετε πιθανές επιπτώσεις στο περιβάλλον ή την ατομική υγεία, παρακαλούμε να διαχωρίσετε αυτό το προϊόν από άλλα δίκτυα αποκομιδής ώστε να διασφαλίσετε ότι είναι δυνατή η ανακύκλωσή του με έναν περιβαλλοντικά θεμιτό τρόπο. Για περισσότερες πληροφορίες σχετικά με τις διαθέσιμες δυνατότητες συλλογής απορριμμάτων, παρακαλούμε να επικοινωνήσετε με την τοπική κυβερνητική αρχή ή το κατάστημα λιανικής από όπου αγοράσατε αυτό το προϊόν.

Türkçe

Ürününüzün üzerinde bulunan çarpi işaretli tekerlekli kutu etiketi, bu ürünün normal ev atık sistemi vastasıyla elden çıkarılmaması gerektiğini gösterir. Çevreye ve insan sağlığına zarar vermeyi önlemek için, lütfen bu ürünü çevreye zarar vermeyecek şekilde geri dönüşüme tabi tutulmak üzere diğer atıklarından ayırın. Mevcut toplama tesisleri ile ilgili ayrıntılı bilgi edinmek için, yerel devlet makamlarıyla veya bu ürünü satın aldığınız satıcıyla irtibata geçin.

Română

Eticheta arătând un coș de gunoi tăiat cu două linii încrucișate, care poate fi găsită pe produs, indică faptul că acesta nu trebuie aruncat la gunoi laolaltă cu gunoiul menajer. Pentru a evita posibila degradare a mediului înconjurător sau a sănătății umane, colectați separat acest produs de gunoiul menajer pentru a vă asigura că poate fi reciclat într-un mod ecologic. Pentru mai multe detalii privind punctele disponibile de colectare, contactați autoritățile locale sau comerciantul de la care ați achiziționat acest produs.

Български

Етикетът, представляващ зачертано кошче за боклук в кръг, който можете да видите върху вашия продукт, означава, че този продукт не трябва да се изхвърля заедно с обикновените домакински отпадъци. За предпазване от евентуални щети върху околната среда или човешкото здраве, моля, отделете този продукт от останалите отпадъци, за да се гарантира, че той ще бъде рециклиран по екологично съобразен начин. За повече информация относно наличните места за събиране на отпадъци, моля, свържете се с местните власти или търговеца, от когото сте закупили този продукт.

Hrvatski

Oznaka prekrizene kante za otpad koja se nalazi na vašem proizvodu znači da se ovaj proizvod ne smije odlagati u obično kućno smeće. Da bi se spriječili negativni učinci na okoliš ili ljudsko zdravlje odvojite ovaj proizvod od ostalog otpada da bi se osiguralo njegovo recikliranje na ekološki prihvatljiv način. Više pojedinosti o dostupnim reciklažnim dvorištima zatražite u uredu lokalne samouprave ili od prodavača od kojeg ste kupili ovaj proizvod.

Македонски

Прецртаната ознака во круг за кантата што е прикажана на производот посочува дека овој производ не смее да се фрла со редовниот домашен отпад. За да спречите можни штети за животната средина или по здравјето на луѓето, одвојте го овој производ од другиот домашен отпад за да обезбедите негово рециклирање на начин којшто нема да и наштети на животната средина. Контактирајте со општинската канцеларија или со продавачот каде што го купивте овој производ за повеќе детали околу достапните собирни локации.

Srpski

Okrugla oznaka sa precrtanom kantom za odlaganje otpada koja se nalazi na proizvodu znači da se ovaj proizvod i priložene baterije ne smeju odlagati u otpad na uobičajen način. Da bi se sprečio štetan uticaj na okolinu ili na zdravlje ljudi, odvojite ovaj proizvod i njegove baterije od ostalog otpada kako bi se oni reciklirali na ekološki prihvatljiv način. Za više detalja o mestima za reciklažu obratite se lokalnoj samoupravi ili prodavcu od koga ste kupili ovaj proizvod.